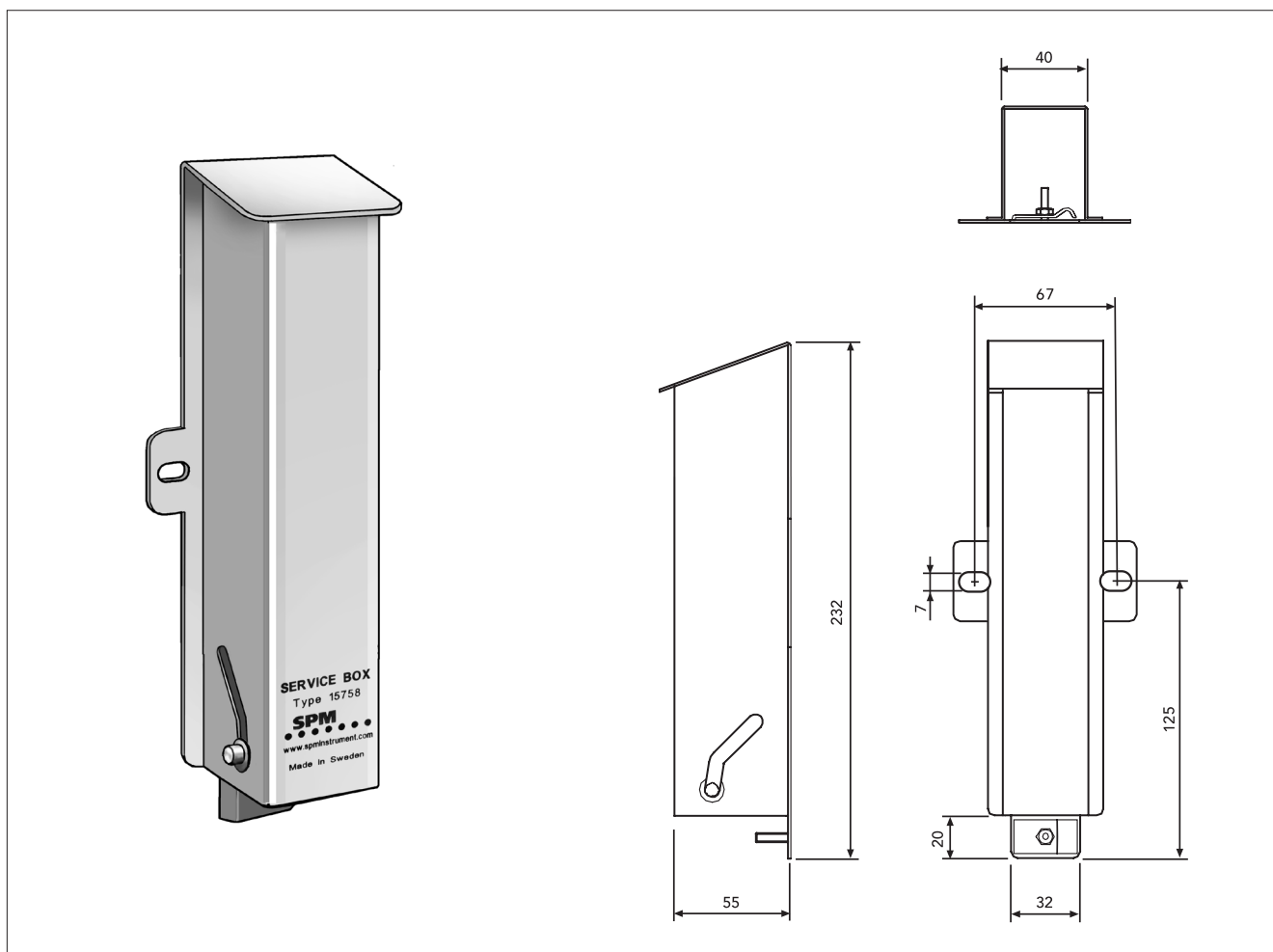


Service Box 15758



The Service Box 15758 is a protective cover for cable joint specially designed for extreme environmental conditions. It is made of stainless acid proof steel, AISI 316, and has an access opening in the bottom.

It is mounted in upright position with two mounting screws, diameter max. 7 mm. The cable clamp and the retaining pin will secure the cable joint inside the box.

